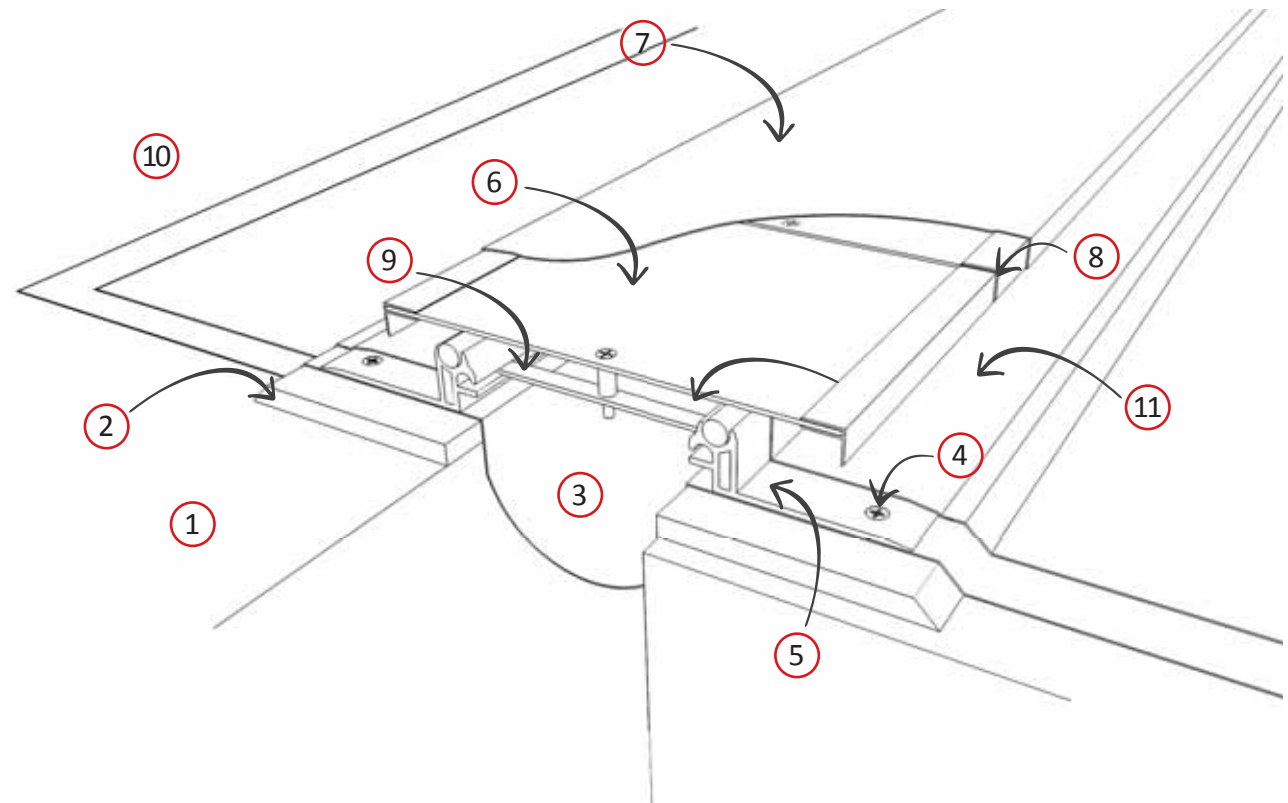


MegAtec

centre plate expansion joints for roofs and parapets

Typical Components

- (1) Roof deck
- (2) Raised bed
- (3) Optional 1.14mm thick Vexcolt EPDM membrane or torch applied waterproofing membrane (by others)
- (4) M6 x 75mm galvanised dipped, carbon steel self-tapping concrete screws
- (5) Continuous aluminium roof frame
- (6) Aluminium centre plate with drip points
- (7) Secondary 1.14mm thick Vexcolt EPDM membrane bonded to centre plate after installation
- (8) 5mm gap between centre plates to allow for thermal expansion
- (9) Centering bar system
- (10) Roof finishes
- (11) Secondary waterproofing bonded to roof frame and cross-bonded to the waterproofing membrane beneath the frame



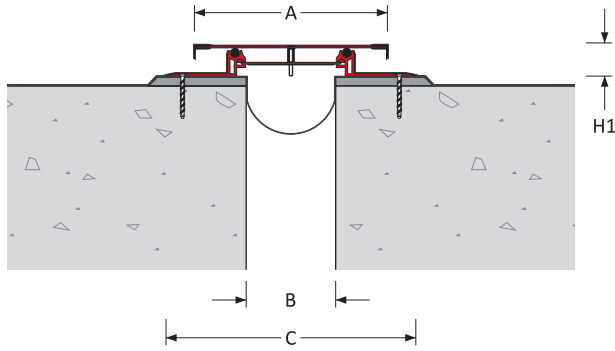
EXTERNAL CENTRE PLATE EXPANSION JOINT

Roof to Roof | Roof to Wall

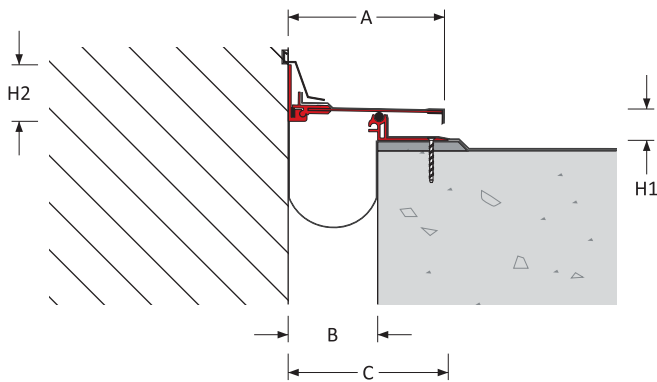
75 - 500 mm (3 - 20") Expansion Gaps

MegAtec 600 : A25-A26

MegAtec 600 : A25



MegAtec 600 : A26

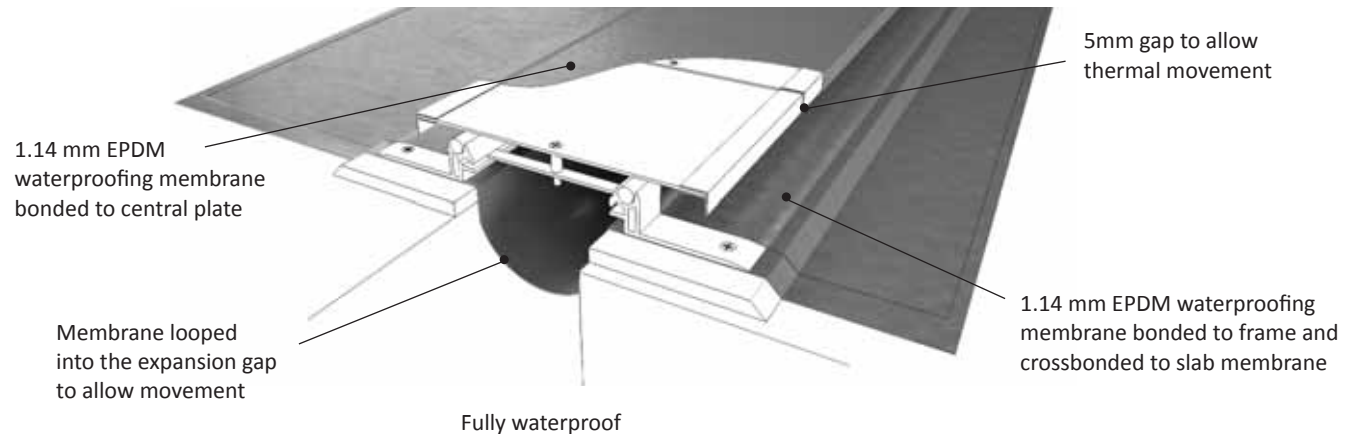


Expansion Joint Selection Criteria

Load Rating

Product Details

Joint Location	Gap Width B(mm)	Movement Capacity (mm)		Eurocode Rating				Product Dimensions		Sightline A (mm)	Blockout C (mm)	Product Number
		±	[Total]					H1 (mm)	H2 (mm)			
Roof - Roof	75	± 37	[75]	-	-	-	-	52	-	212	344	600-A25-075-(H1)
	100	± 50	[100]							257	368	600-A25-100-(H1)
	150	± 75	[150]							323	418	600-A25-150-(H1)
	200	± 100	[200]					397		532	600-A25-200-(H1)	
	300	± 150	[300]					547		649	600-A25-300-(H1)	
	400	± 200	[400]					700		780	600-A25-400-(H1)	
	500	± 250	[500]					842		922	600-A25-500-(H1)	
Roof - Wall	75	± 37	[75]	-	-	-	-	52	95	183	228	600-A26-075-(H1)
	100	± 50	[100]							207	241	600-A26-100-(H1)
	150	± 75	[150]							260	268	600-A26-150-(H1)
	200	± 100	[200]							396	318	600-A26-200-(H1)
	300	± 150	[300]							418	495	600-A26-300-(H1)
	400	± 200	[400]							695	518	600-A26-400-(H1)
	500	± 250	[500]							791	618	600-A26-500-(H1)



Features

Surface

Raised surface

Movement

Seismic movement capacity

ASTM E-1399 Class I: Thermal

Class II: Wind

Class III: Seismic

Traffic Frequency per day

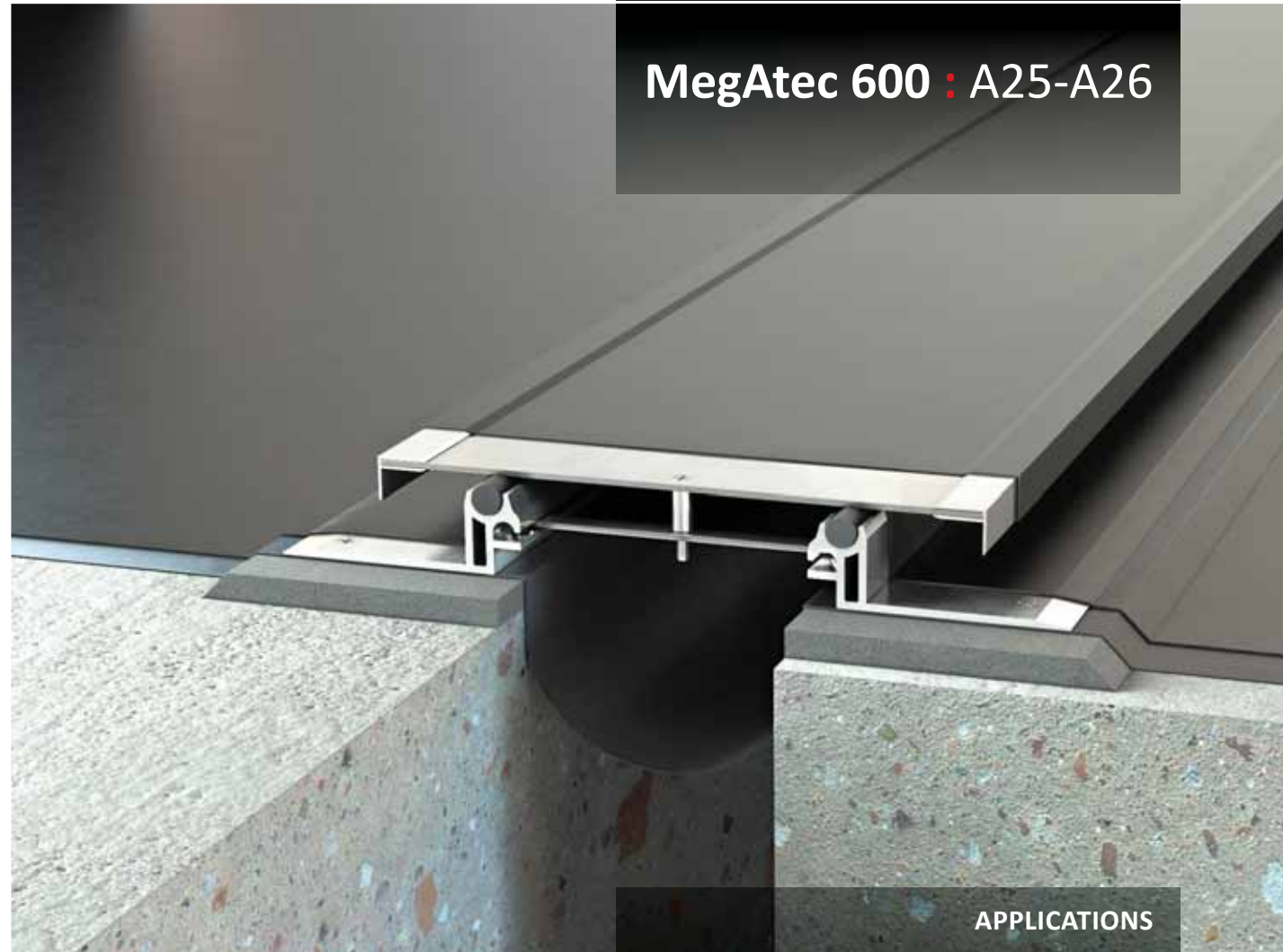


- - - - -

System Options

Gap width(s)	75, 100, 150, 200, 300, 400, 500 mm
Height(s)	52, 58 mm
Metal type(s)	Aluminium
Colour(s)	Mill finish aluminium
Fire barrier	120-240 minutes
Waterproofing	Moisture barrier
Pre-assembly in factory	Contact Vexcolt

MegAtec 600 : A25-A26



APPLICATIONS

Airport Terminals | Educational | Exhibition Centres
 Department Stores | Distribution & Retail Warehouses
 Factories | Hospitals | Museums | Offices & Hotels
 Parking | Places of Worship | Residential Buildings
 Rail, Metros & Elevated Rail Stations | Roads & Bridges
 Shopping Centres | Sports Stadiums | Supermarkets